

WG2000F--
(1) 2,000 Gal. Tank
with Brake or Without Brake

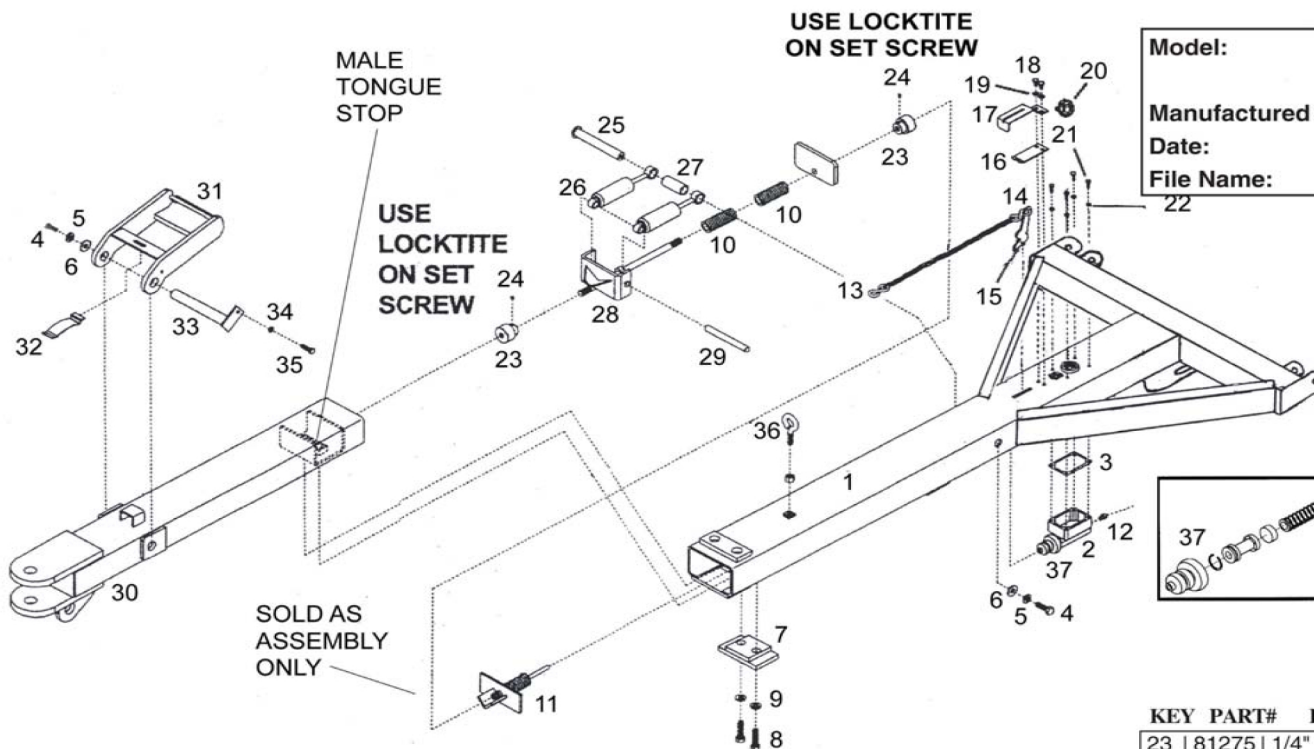
Key #	Part #	Description	Qty.
1	91116	Front End Weldment	1
2	91123	Cross Pin	1
3	91124	King Pin	1
4	91117	Tank Mount	1
5	31191	Washer	1
6	81327	1 1/2 x 12 Slotted Nut	1
7	91121	Pan Head Weldment	1
8	31190	Reach Tube	1
9	91122	Rear End Weldment	1
10	81031	8-bolt 6,000 lb. hub only	4
10A	81083	5/8 Wheel Hex Nut	4
10B	81029	Bearing & Seal, Only	4

Key #	Part #	Description	Qty.
10C	81028	Dust Cap, Only	1
10D		Seal Only	1
10E	81302	Drive-in Stud	1
11	81202	1" Washer	1
12	81203	1" Castle Nut	1
13	81204	Cotter Pin	1
14	81142	Front Shoe	1
15	81143	Back Shoe	1
16	81102	13" Backing Plate, RH	1
16A	81136	13" Backing Plate, LH	1
17	81030	8-bolt hub complete, tapped v	1
18	81033	8-bolt hub tapped, only	1
19	81101	13" Brake Drum	1
20	81038	6,000 lb. Spindle	



WG2000F
 Single 2000 gal.

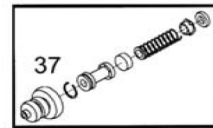
Behnke Enterprises, Inc.
 Ph. (563)744-3246
 Fax (563)744-9066



Model:	Surge Brake Tongue WG2000F
Manufactured by:	Behnke Enterprises, Inc.
Date:	10/01/10
File Name:	low profile tongue explode



800 Ninth Ave. NW
Farley, IA 52046
Ph. 563-744-3246
Fax 563-744-9066



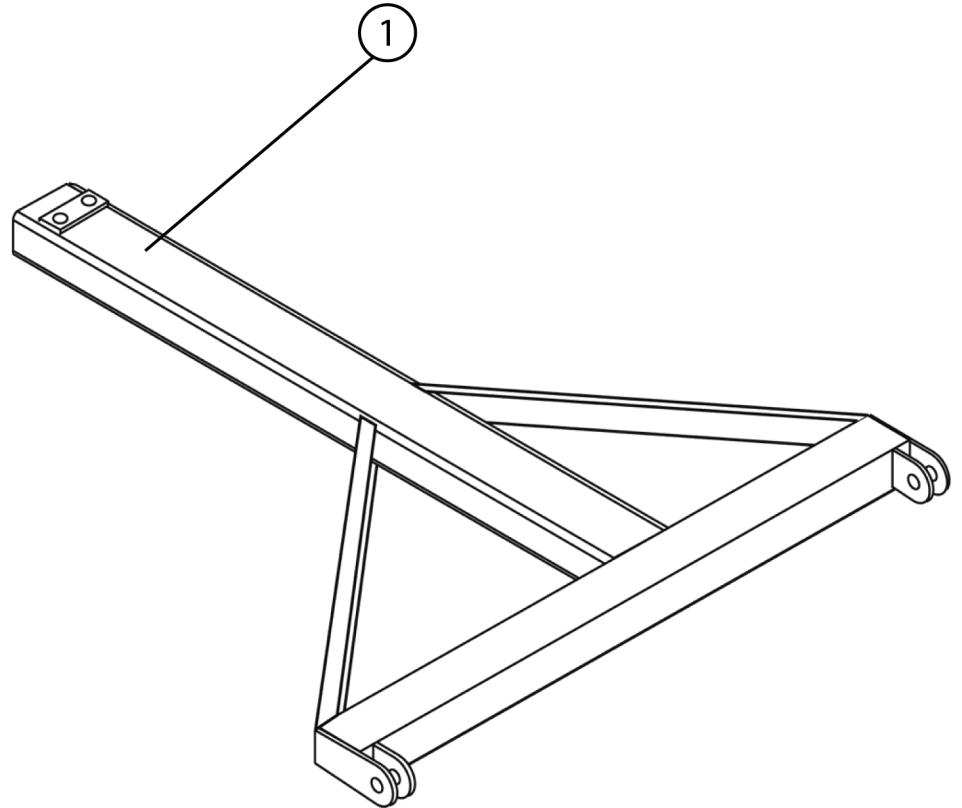
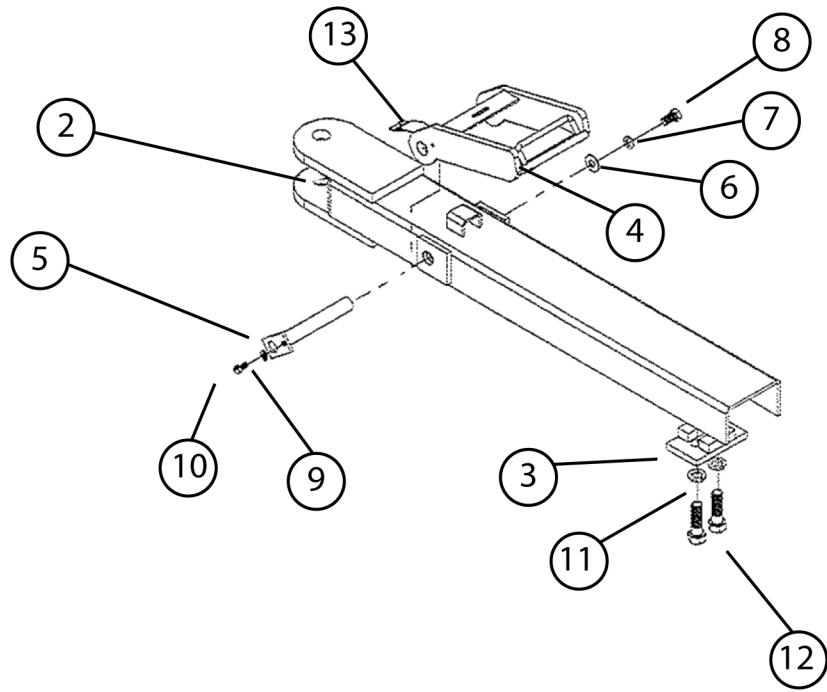
38
Complete
Tongue
Assembly

TONGUE ASSEMBLY PARTS LIST

KEY PART#	Description	Qty.
1	91069 Adjustable Tongue--female half for brakes	
2	81258 Master Cylinder with Gasket	
3	81257 Master Cylinder Gasket	
4	81056 1/2" x 1" Hex Bolt	
5	81055 1/2" Lock Washer	
6	81053 1/2" Flat Washer	
7	81259 Male Tongue Stop Block	
8	81260 3/4"-10 UNC x 2 1/2 Grade 5	
9	81261 3/4" Lock Washer	
10	81262 Spring	
11	81263 Push Plate Assembly	

KEY PART#	Description	Qty.
12	81264 Orifice Connector for Master Cylinder	
13	81265 Safety Chain	
14	81266 Emergency Lever	
15	81267 Groove Pin	
16	81268 Emergency Lever Spring	
17	81269 Emergency Lever Guide	
18	81270 5/16"-18 UNC x 3/4 Self Tapping Screw	
19	81271 5/16" External Tooth Lockwasher	
20	81272 Master Cylinder Cap w/ Diaphragm & O-Ring	
21	81273 Diaphragm Replacement	
22	81274 O-ring Replacement	

KEY PART#	Description	Qty.
23	81275 1/4" x 20 UNC x 3/4 Grade 5	
24	81276 1/4" Lock Washer	
25	81277 Adjustment Spud	
26	81278 1/4" x 1/4" Socket Set Screw	
27	81279 Rear Shock Pin	
28	81280 Push-off Assembly	
29	81281 Front Shock Pin	
30	91070 Adjustable Tongue--Male Half	
31	81282 Tongue Extension Latch	
32	81283 Latch Spring	
33	81284 Latch Pin	
34	81285 5/16 Lock Washer	
35	81286 5/16-18 UNC x 3/4 Hex Head Bolt Grade 5	
36	81287 1/2 x 13 x 2 Eye Bolt w/ Jam Nut	
37	81288 Master Cylinder Repair Kit w/ Gasket	
38	91071 Complete Tongue Assembly	



KEY	PART#	Description
1	91069	Adjustable Tongue--Female half for brakes
2	91070	Adjustable Tongue--Male half
3	81259	Male Tongue Stop Block
4	81282	Tongue Extension Latch
5	81284	Latch Pin
6	81053	1/2" Flat Washer
7	81055	1/2" Lock Washer
8	81056	3/4"-1/2" x 1" Hex Bolt
9	81285	5/16" Lock Washer
10	81286	5/16-18 UNC x 3/4 Hex Head Bolt Grade 5
11	81261	3/4" Lock Washer
12	81260	3/4"-10 UNC x 2 1/2 Grade 5
13	81283	Latch Spring



800 Ninth Ave. NW
 Farley, IA 52046
 Ph. 563-744-3246
 Fax 563-744-9066

Model:	Non-Brake Tongue
	WG2000F
Manufactured by:	Behnke Enterprises, Inc.
Date:	12/02/09
File Name:	low pro tng ex no brake